

Introducing

FrogLPR

Elegant. Discreet. Optimal.



FrogLPR Features



Accurate detection

Identify key vehicle details from the license plate.



Fast processing

Detection and processing is performed at the unit so only the information that you need is sent to the cloud.



Cloud based data

All data is stored and hosted in the cloud and is accessible from anywhere.



Various applications

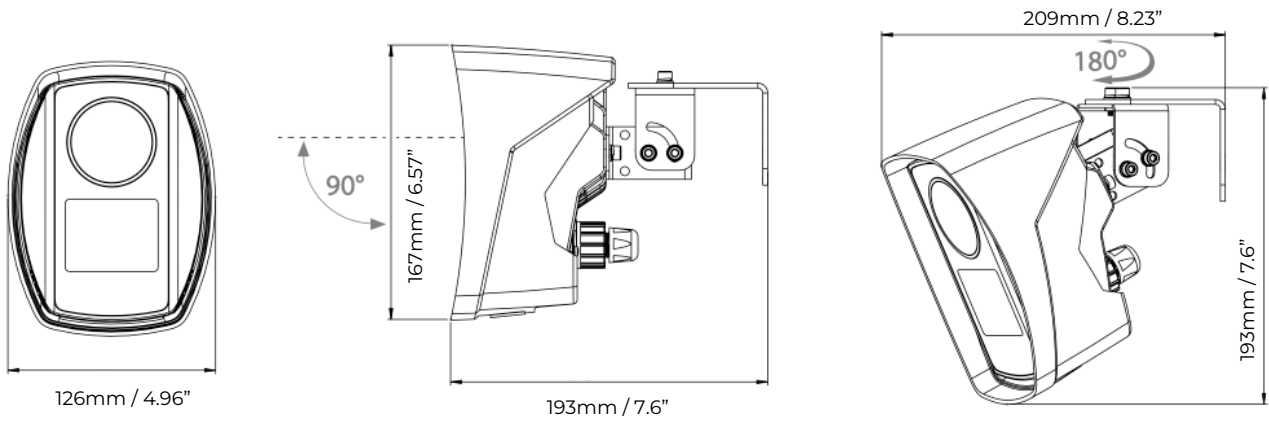
Entry and exit control, time to park/exit, premium parking and automated hot listing.

FrogLPR (License plate reader) is another parking lot data tool to generate insights into parking behaviour to make the user's experience easier and faster. Not only do your users get smoother and faster entry and exits, but FrogLPR allows users to experience a seamless parking journey by automatically calculating payment requirements upon exit.

All data is displayed on Frogparking's cloud-based dashboard to give you world-class insights into your parking facility's performance.

Use these insights to increase overall utilization and occupancy while having complete transparency over every user. Data from the LPR is used to calculate accurate time-to-park and time-to-exit information that can be displayed to visitors if combined with sensing technology. This can increase revenue by improving utilization of unused parking areas and easing pressure on hotspots.

- ✓ Motorized optical zoom
- ✓ Install anywhere
- ✓ Works accurately with alphanumeric plates including vanity plates
- ✓ No on-site servers required
- ✓ Maintained remotely
- ✓ Self illuminated when lighting conditions change
- ✓ Operates under any lighting conditions
- ✓ Sleek and discreet
- ✓ POE+ for data and power
- ✓ Logs accurate entry and exit times
- ✓ Integrates with ticketless payment systems
- ✓ Uses the latest AI technology
- ✓ Recognizes North American license plate states



FrogLPR Specifications

Materials

Powder coated aluminium

Finish

Powdercoat

Ingress protection rating

IP67 casing – for indoor and outdoor install

Ambient operating temperature

-30 to 55 °C / -22 to 131 °F

Power consumption

5W (typical), 12W Max

Camera

8mp camera (3840 x 2160) @ 30fps

Mounting method

Ceiling / wall / pole

Dimensions

H x W x D

167mm x 126mm x 100mm

6.57" x 4.96" x 3.94"

Input voltage

POE+ (802-3at)

Certificates

NDAA Compliant, CE, RoHS, FCC

Sensor

Color or IR sensor