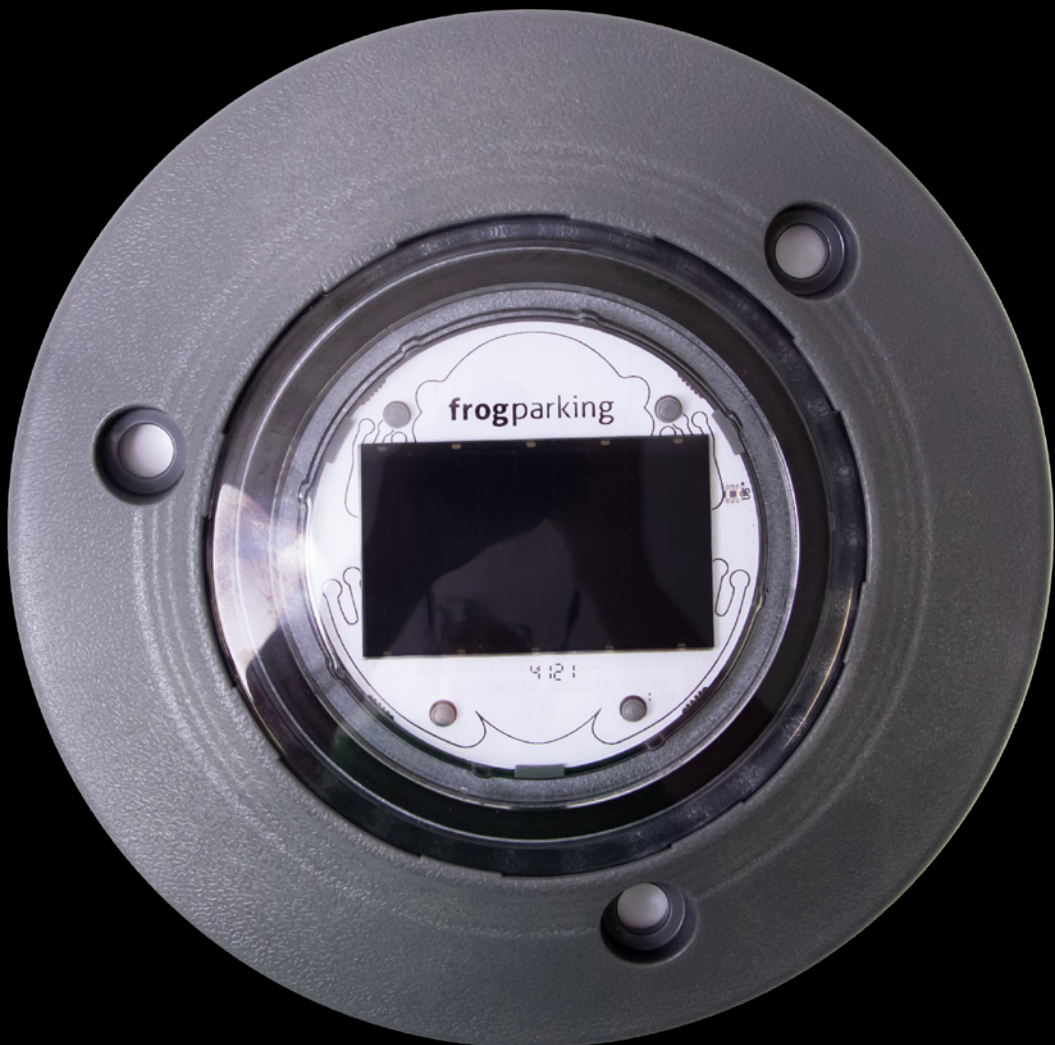


Introducing

FrogSensor

Sleek. Consistent. Trending.



FrogSensor Features



Built to last

Proven rock-solid reliability for more than a decade.



Installed in minutes

You can set your outdoor FrogSensor however you like – mount it, make it flush, or even recess it within the road for a seamless and discreet look



Seamless integration

You can make it your own by easily teaming it up with third-party hardware for a fully customized solution.



Accurate

We have pinpoint accuracy which will enhance revenue immediately.



Multiple variants

We have multiple variants of FrogSensor, available to suit your specific requirements.



Remotely updated

We keep your system up to date effortlessly by updating the firmware remotely. This way, you always have the latest and greatest software without lifting a finger.



Wireless Communication

Our sensors are always communicating with FrogHub, which means you have real-time data at your fingertips.



Trending now

Say goodbye to outdated technology and hello to the new era in innovation.

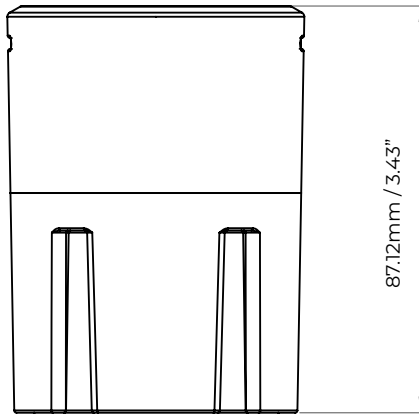
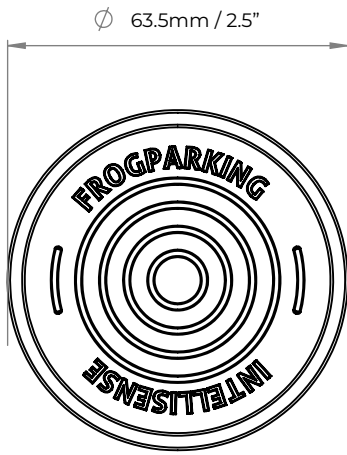
Introducing the world's first FrogSensor, a parking management sensor guaranteed to **revolutionize your car parking facilities revenue and effectiveness.**

Frogparking's original solution, our world-first patented and enduring technology, has clearly proven its reliability in diverse environments and weather conditions.

Our FrogSensor range has expanded rapidly to include innovative outdoor sensors, that can consist of many variants. This allows for a customized solution that works in any environment.

The data from the sensors is wirelessly transmitted to your FrogHub dashboard, for real-time data access. The data from these sensors will improve your understanding of your data assets, occupancy rates, utilization rates and more.

- ✓ Can be installed in a variety of mounting options
- ✓ Extremely durable with reliable operations for 15 years +
- ✓ Uses multiple detection methods
- ✓ Quick and easy installation
- ✓ Say goodbye to constant maintenance and battery replacements
- ✓ Payment & enforcement integration improves compliance



Battery Sensor Specifications

Diameter

2.17" / 55mm

Height (installed)

0" / 0mm

Weight

10.58 ounce / 300g

Enclosure

High impact UV resistant polymer

Power source

Battery-powered

Detection

Three axis magnetometers combined with RRSI object and optical detection

Certification



Wireless communications

433 MHz, 866 MHz, 868 MHz, 915 MHz
(region dependent)

Circuitry

Lead-free circuit board. RoHS-standard components

Ambient operating temperature

-22°F – 176°F / -30°C -80°C

Software updates

Sent wirelessly, as required

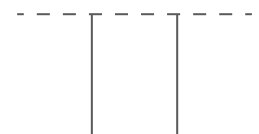
IP rating

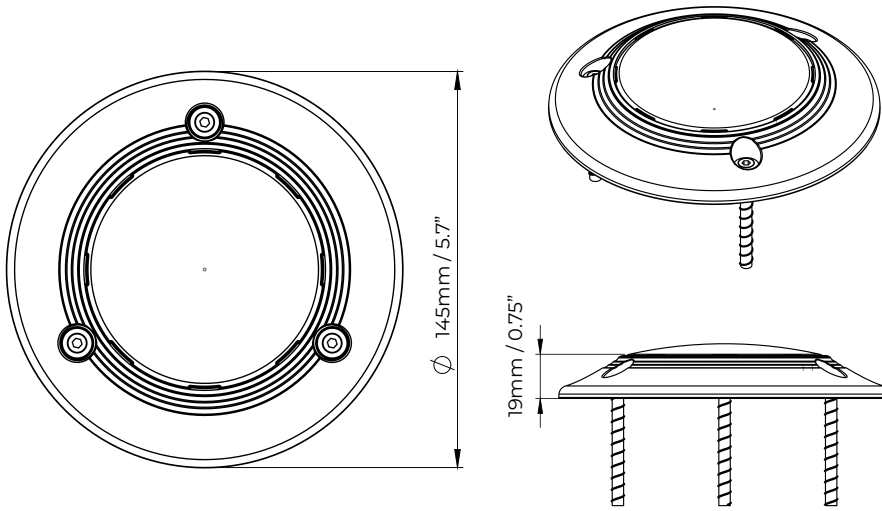
65

Mounting method

Flush mounted

Requires 2.55" x 3.46" / 65mm x 88mm depth hole to accommodate main body of the sensor.





Surface Mounted Solar Sensor Specifications

Diameter

5.7" / 144.8mm

Height (installed)

0.9" / 22.86mm

Weight

7.1 ounce / 201g

Enclosure

High impact UV stabilized polycarbonate

Mounting base

Fiber reinforced polycarbonate

Wireless communications

433 MHz, 866 MHz, 868 MHz, 915 MHz
(region dependent)

Circuitry

Lead-free circuit board. RoHS-standard components

Ambient operating temperature

-4°F - 176°F / -20°C -80°C

Software updates

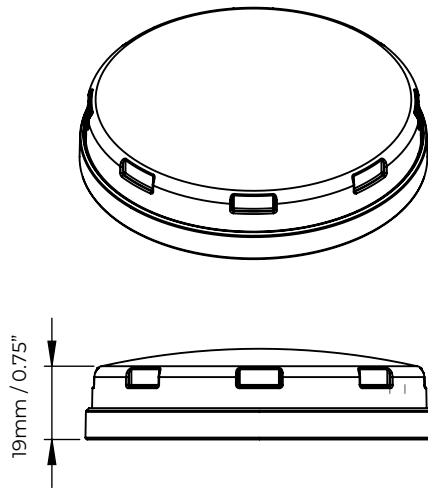
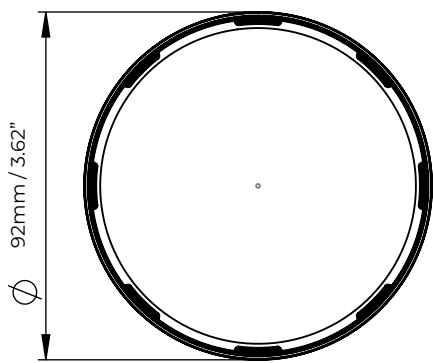
Sent wirelessly, as required

Mounting method

Surface mounted

Requires three masonry screwbolts





Recessed Solar Sensor Specifications

Diameter

3.6" / 91.44mm

Height (installed)

0.2" / 5.1mm

Weight

7.1 ounce / 201g

Enclosure

High impact UV stabilized polycarbonate

Mounting base

Fiber reinforced polycarbonate

Wireless communications

433 MHz, 866 MHz, 868 MHz, 915 MHz
(region dependent)

Circuitry

Lead-free circuit board. RoHS-standard components

Ambient operating temperature

-4°F - 176°F / -20°C - 80°C

Software updates

Sent wirelessly, as required

Mounting method

Recessed



Requires 3.6" x 0.71" / 92mm x 18mm depth to accommodate main body of sensor. Sensor glued in place.