



Introducing

FrogGuidance

Powered by 

Efficient. Easy. Excellent.

FrogGuidance Features

Powered by 



Fits like a glove

Our hardware is tailored to work with your sites unique layout so you can be guaranteed a sleek design, that looks fantastic and meets all your operational needs.



Color zoning

Add your personal touch to parking zones by choosing your own custom LED colors. This makes it easy to spot available spaces, accessible parking, EV parking and more... all within a quick glance.



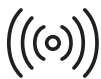
Cloud-based data

All of your valuable data is stored off-site using cellular data communication for added reliability and peace of mind. Plus, no need to find a room to jam-pack with servers.



Trending now

Say goodbye to outdated technology and hello to the new era in innovation.



Accurate detection

Use the accurate LiDAR technology to say goodbye to dated systems that use cameras, ultrasonic or infrared.



Fast and Reliable

Quick install with no batteries (low maintenance, lower administrative costs & say hello to increased revenue).



Sustainability

Improve utilization and lower carbon emissions by helping your customers find a parking space faster.



Various applications

Customizable with different variants e.g. dropper, chandler, rail mounted, single space, custom light fittings and more.

Introducing FrogGuidance – our world-class patented laser (LiDAR) indoor guidance system that is revolutionizing the parking experience.

LiDAR offers distinct advantages over cameras in various applications. It effective in low-light situations, and its ability to penetrate obstacles such as foliage enhances its reliability. Additionally, LiDAR data is less complex than image data, simplifying processing requirements for certain applications. Moreover, LiDAR captures physical shapes and structures instead of detailed visual information, reducing privacy concerns compared to cameras.

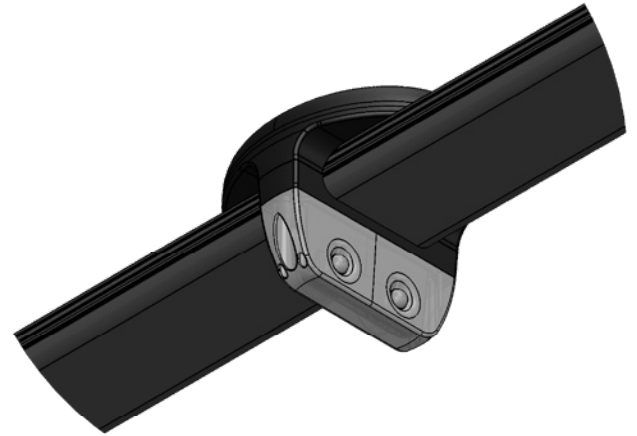
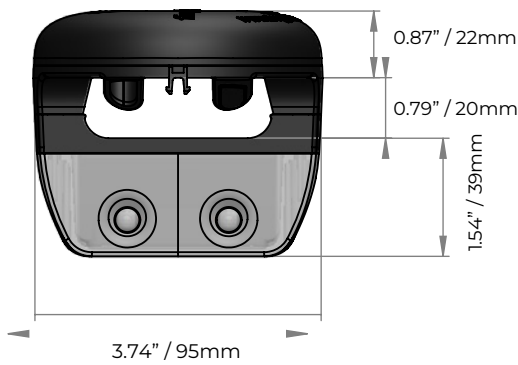
The FrogGuidance system makes navigating indoor parking structures effortless by using laser technology to detect the presence of vehicles and providing LED light guidance.

No matter the lighting conditions, the lasers can accurately detect the position and movement of vehicles and direct drivers to the nearest available parking space.

All data is displayed on Frogparking's cloud-based dashboard to give you world-class insights into your parking facility's performance.

FrogGuidance is easy to install and can be customized to suit the specific needs of each parking facility.

- ✓ Full color ultra bright LED's
- ✓ Each LED can service up to six LiDAR sensors
- ✓ No core drilling required
- ✓ Low maintenance compared to other indoor guidance products as no batteries
- ✓ Plug & play installation
- ✓ Aesthetically beautiful solution
- ✓ Customizable to be finished in your brand colors, or environment, to suit the palate



Powered by 

Rail Mounted **Guidance** Specifications

Ingress protection rating

65

Ambient operating temperature

-22°F - 176°F / -30°C - 80°C

Configuration

Wireless, web-based

Mounting Method

Direct to power rail

Enclosure

High impact, UV resistant, UL rated plastic

Detection

Class 1 (eye safe) laser sensors

Circuitry

Lead free circuit board with RoHS-standard components

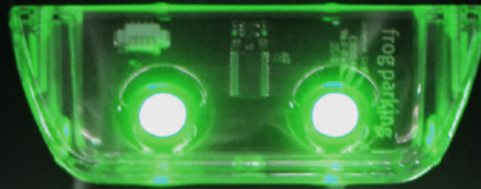
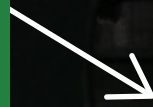
Power

Mains powered

Guidance light

Full color, ultra bright LEDs. Can service up to 6 LiDAR sensors. Displays green when one or more spaces are vacant, and red when all are occupied.

Customizable e.g. blue for ADA, pink for parental parking, yellow for EV.



LiDAR sensor

One LiDAR sensor per parking space. Mounted on 'power rail' in the center of the parking aisle.



Invisible laser beam

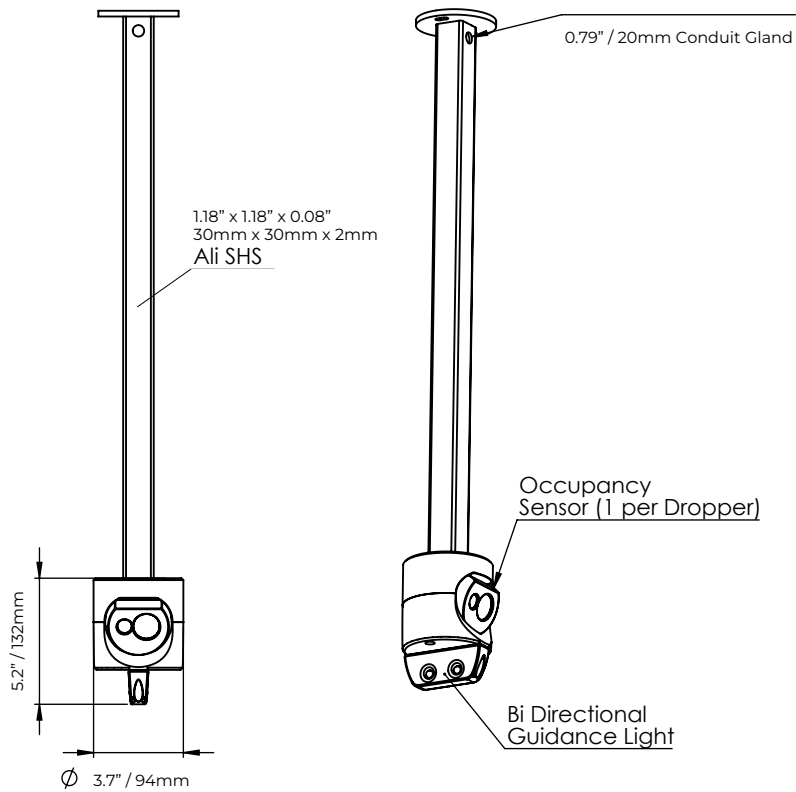
Our eye safe LiDAR sensor is able to detect the presence of a vehicle in the parking space.



Power rail trunking

Conceals low voltage DC cabling from each LiDAR to the guidance lights.





Powered by 

Single Space Dropper Guidance Specifications

Unit dimensions

3.7" (diameter) x 4.5"

94mm (diameter) x 114.3mm

Dropper length

Adjustable / ceiling height dependent

Mounting Method

Mounted to Kwikon SMB/SMBH-10/15/20 junction box (embedded in concrete slab).

Enclosure

High impact, UV resistant, UL rated plastic

Detection

Class 1 (eye safe) laser sensor

Circuitry

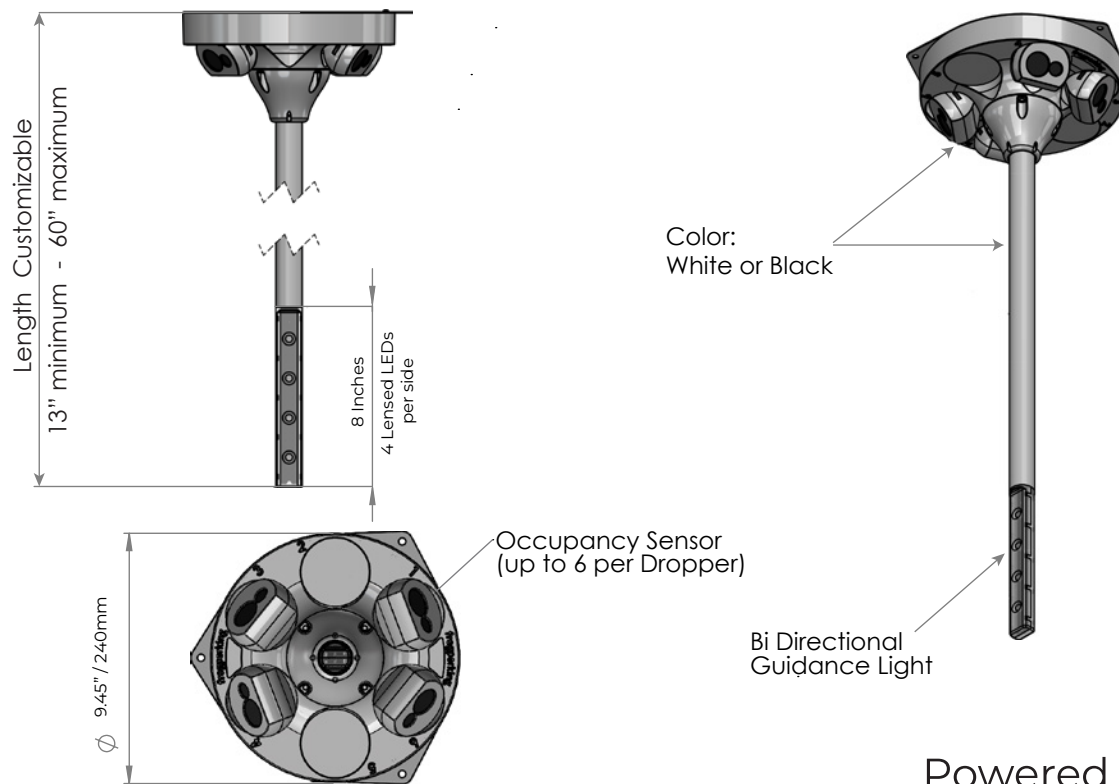
Lead free circuit board with RoHS-standard components

Operating temperature

-4°F - 176°F / -20°C - 80°C

Configuration

No onsite server, wireless, web based



Powered by 

Inverted Dropper Guidance Specifications

Unit dimensions

9.5" (diameter) x 4"
241mm (diameter) x 102mm

Wand length

Adjustable / ceiling height dependent

Mounting Method

Mounted directly on the ceiling

Enclosure

High impact, UV resistant, UL rated plastic

Detection

Class 1 (eye safe) laser sensors

Circuitry

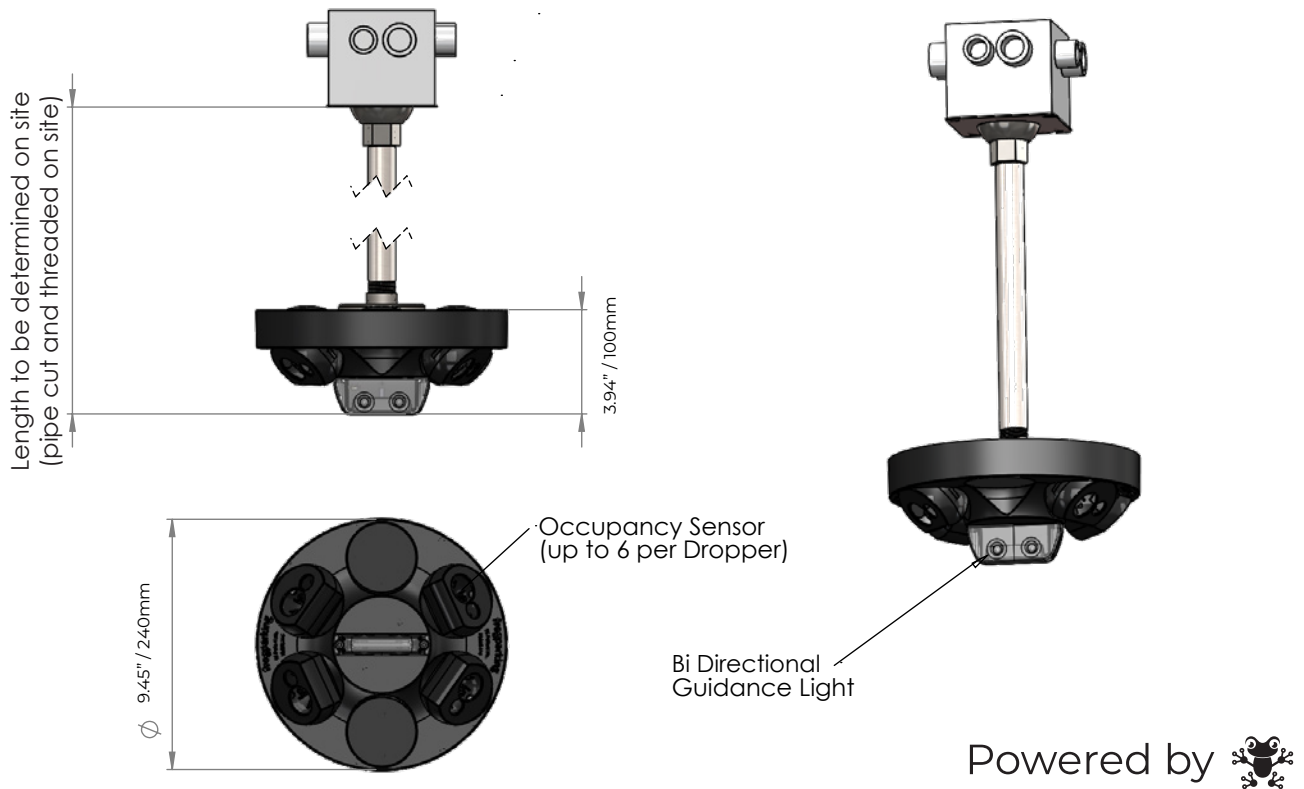
Lead free circuit board with RoHS-standard components

Operating temperature

-4°F – 176°F / -20°C - 80°C

Configuration

No onsite server, wireless, web based



Multi-space Dropper Guidance Specifications

Unit dimensions

9.5" (diameter) x 4"
241mm (diameter) x 102mm

Dropper length

Adjustable / ceiling height dependent

Mounting Method

Mounted to Kwikon SMB/SMBH-10/15/20
junction box (embedded in concrete slab).

Enclosure

High impact, UV resistant, UL rated plastic

Detection

Class 1 (eye safe) laser sensors

Circuitry

Lead free circuit board with RoHS-standard components

Operating temperature

-4°F – 176°F / -20°C - 80°C

Configuration

No onsite server, wireless, web based