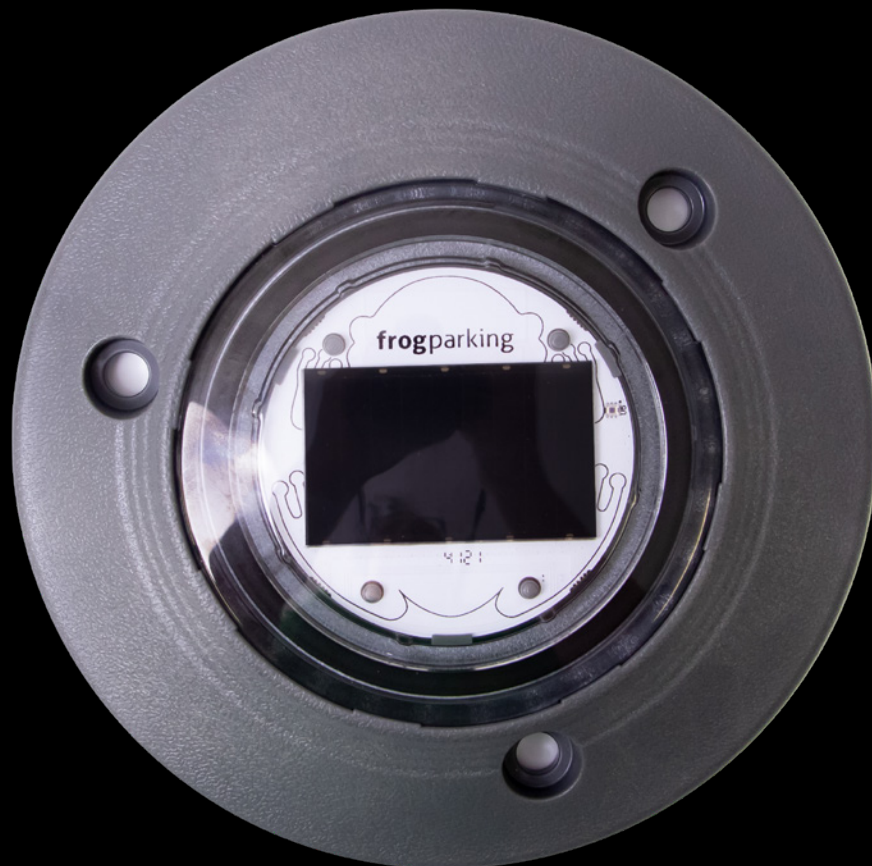


Introducing

# FrogSensor

Powered by 

Sleek. Consistent. Trending.



# FrogSensor Features

Powered by 



## Built to last

Proven rock-solid reliability for more than a decade.



## Installed in minutes

You can set your outdoor FrogSensor however you like – mount it, make it flush, or even recess it within the road for a seamless and discreet look



## Seamless integration

You can make it your own by easily teaming it up with third-party hardware for a fully customized solution.



## Accurate

We have pinpoint accuracy which will enhance revenue immediately.



## Multiple variants

We have multiple variants of FrogSensor, available to suit your specific requirements.



## Remotely updated

We keep your system up to date effortlessly by updating the firmware remotely. This way, you always have the latest and greatest software without lifting a finger.



## Wireless Communication

Our sensors are always communicating with FrogHub, which means you have real-time data at your fingertips.



## Trending now

Say goodbye to outdated technology and hello to the new era in innovation.

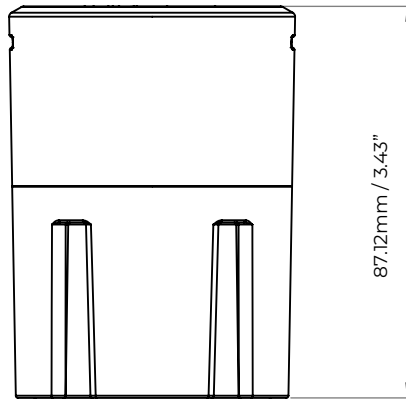
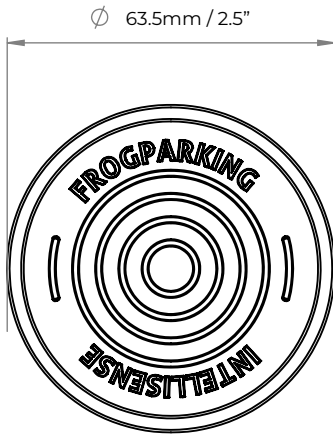
Introducing the world's first FrogSensor, a parking management sensor guaranteed to **revolutionize your car parking facilities revenue and effectiveness.**

Frogparking's original solution, our world-first patented and enduring technology, has clearly proven its reliability in diverse environments and weather conditions.

Our FrogSensor range has expanded rapidly to include innovative outdoor sensors, that can consist of many variants. This allows for a customized solution that works in any environment.

The data from the sensors is wirelessly transmitted to your FrogHub dashboard, for real-time data access. The data from these sensors will improve your understanding of your data assets, occupancy rates, utilization rates and more.

- ✓ Can be installed in a variety of mounting options
- ✓ Extremely durable with reliable operations for 15 years +
- ✓ Uses multiple detection methods
- ✓ Quick and easy installation
- ✓ Say goodbye to constant maintenance and battery replacements
- ✓ Payment & enforcement integration improves compliance



Powered by 

# Battery Sensor Specifications

## Diameter

2.17" / 55mm

## Height (installed)

0" / 0mm

## Weight

10.58 ounce / 300g

## Enclosure

High impact UV resistant polymer

## Power source

Battery-powered

## Detection

Three axis magnetometers combined with RRSI object and optical detection

## Certification



## Wireless communications

433 MHz, 866 MHz, 868 MHz, 915 MHz  
(region dependent)

## Circuitry

Lead-free circuit board. RoHS-standard components

## Ambient operating temperature

-22°F - 176°F / -30°C -80°C

## Software updates

Sent wirelessly, as required

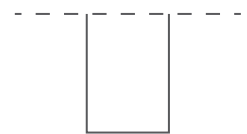
## IP rating

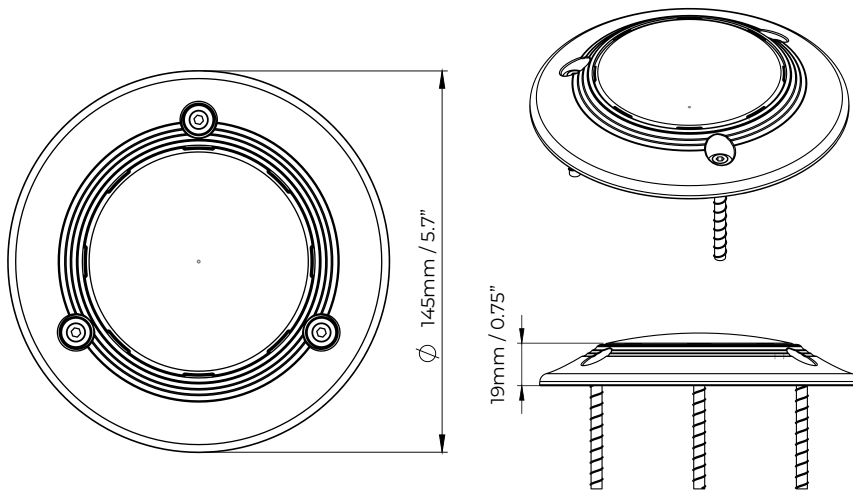
65

## Mounting method

Flush mounted

*Requires 2.55" x 3.46" / 65mm x 88mm depth hole to accommodate main body of the sensor.*





# Surface Mounted **Solar Sensor** Specifications

---

## Diameter

5.7" / 144.8mm

---

## Height (installed)

0.9" / 22.86mm

---

## Weight

7.1 ounce / 201g

---

## Enclosure

High impact UV stabilized polycarbonate

---

## Mounting base

Fiber reinforced polycarbonate

---

## Wireless communications

433 MHz, 866 MHz, 868 MHz, 915 MHz  
(region dependent)

---

## Circuitry

Lead-free circuit board. RoHS-standard components

---

## Ambient operating temperature

-4°F – 176°F / -20°C -80°C

---

## Software updates

Sent wirelessly, as required

---

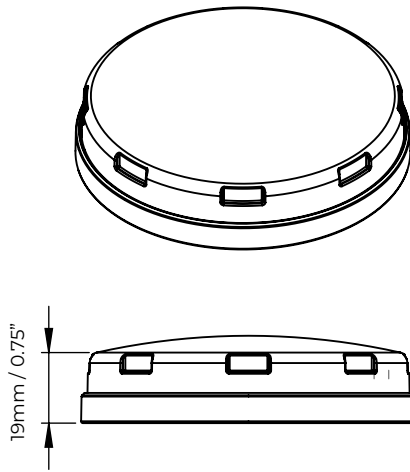
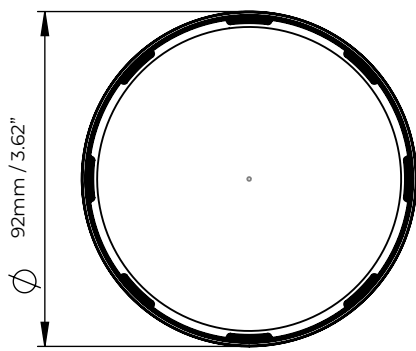
## Mounting method

Surface mounted

*Requires three masonry screwbolts*



Powered by 



# Recessed Solar Sensor Specifications

Powered by 

## Diameter

3.6" / 91.44mm

## Height (installed)

0.2" / 5.1mm

## Weight

7.1 ounce / 201g

## Enclosure

High impact UV stabilized polycarbonate

## Mounting base

Fiber reinforced polycarbonate

## Wireless communications

433 MHz, 866 MHz, 868 MHz, 915 MHz  
(region dependent)

## Circuitry

Lead-free circuit board. RoHS-standard components

## Ambient operating temperature

-4°F - 176°F / -20°C - 80°C

## Software updates

Sent wirelessly, as required

## Mounting method

Recessed

Requires 3.6" x 0.71" / 92mm x 18mm depth to accommodate main body of sensor. Sensor glued in place.

