

Introducing

FrogSigns

Powered by 

Dynamic. Tailored. Effective.



SPACES
AVAILABLE



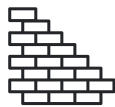
SPACES
AVAILABLE



SPACES
AVAILABLE

FrogSign Features

Powered by 



Built for you

We create fully customizable signs right here in our own workshop, tailored to your unique requirements.



Connect with customers

Change the message displayed, with a few simple clicks on your FrogHub dashboard.



Display live occupancy

Take the guesswork out of finding a parking spot. FrogSigns have real-time occupancy information so can direct users to available parking spaces.



Wireless communication

Our signs have a direct line to the serve and gateways, ensuring lightning-fast and precise data delivery.

Introducing FrogSigns, our dynamic signage solution to any parking space.

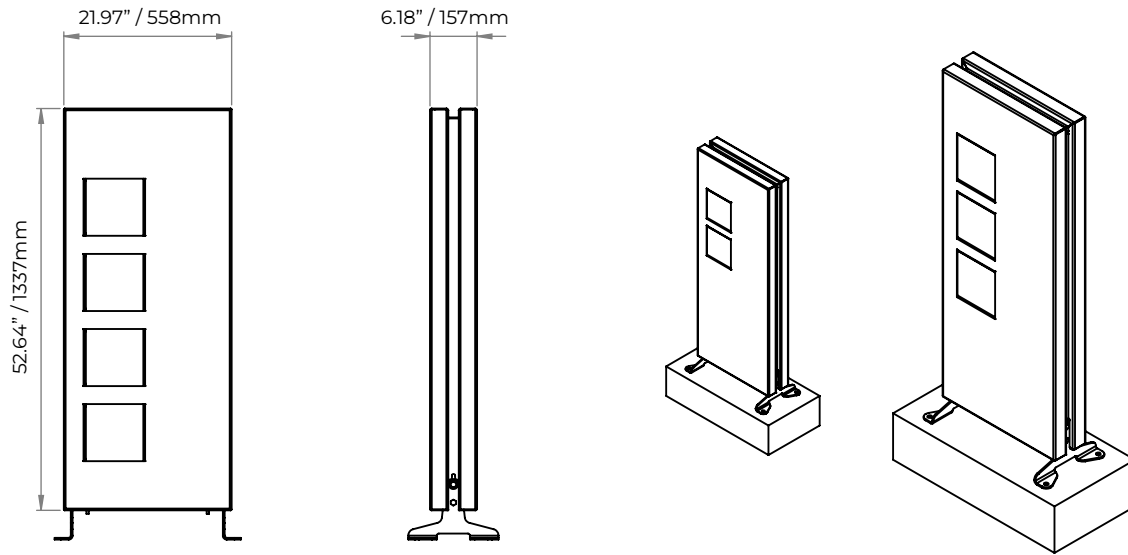
We boast multiple signage options, custom size requirements and messaging variations to suit your needs. Basically, the world is your oyster when it comes to Frogparking and signage options.

FrogSigns are magnetic, seamlessly aligning and connecting both vertically and horizontally to perfectly cater to your display requirements.

But wait, there's more Frogparking also designs and manufactures enclosures to house your FrogSigns.

Display possibilities are infinite with variable text, and image capabilities while being fully controlled by you from your FrogHub for remote changes, effective on-site immediately.

- ✓ See instant results with lower congestion and improved traffic flow
- ✓ Place at strategic decision points and see your carbon emissions drop dramatically
- ✓ 100% customizable
- ✓ Display text or images
- ✓ Fully integrable with other Frogparking solutions
- ✓ Full configurable color display
- ✓ High resolution display
- ✓ Lightweight design



FrogSigns K1 Monument Specifications

Powered by 

Sign body

Aluminum with powdercoat finish

Sign body size

21.97" x 53.35" x 6.18"
558mm x 1355mm x 157mm

Sign decals and body color

Customizable

Display modules

1-4 VMS modules

Display colors

Full color display

Pixel pitch

0.24" / 6mm

Pixel density

18 pixels per square inch / 27,777 pixels per m²

Resolution

32 x 32 pixels

Display size

7.56" x 7.65" / 192mm x 192mm

Protection

Suitable for indoor and outdoor use

Viewing angle

Horizontal angle 140° - vertical angle 120°

White balance brightness

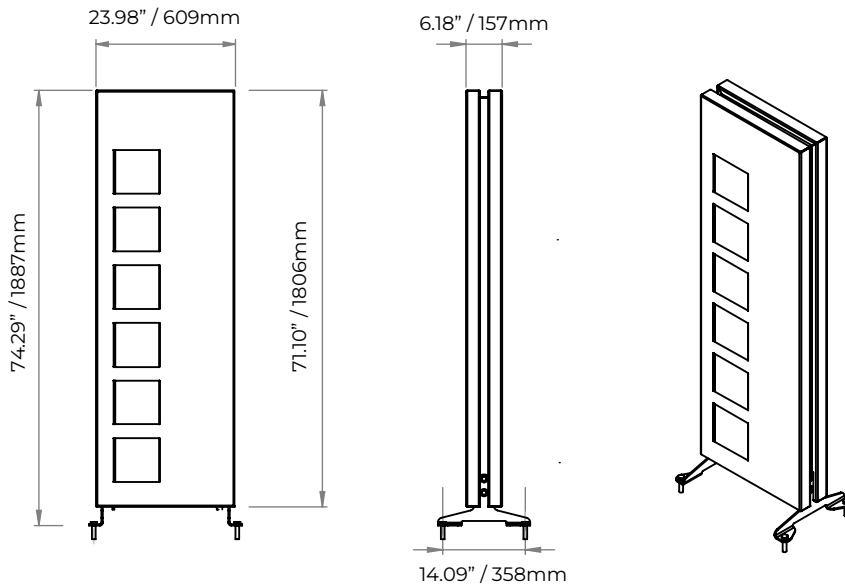
>465 cd per square foot / >5000 cd per m²

Max power consumption

35 watts per K1 LED

Power supply

AC 115V (0.3A / K1 LED) - 240V (0.15A / K1 LED) input
DC 12V - 48V output



Powered by 

FrogSigns K1 Plus Monument Specifications

Sign body

Aluminum with powdercoat finish

Sign body size

23.98" x 71.10" x 6.22"
610mm x 1806mm x 158mm

Sign decals and body color

Customizable

Display modules

1-6 VMS modules

Display colors

Full color display

Pixel pitch

0.24" / 6mm

Pixel density

18 pixels per square inch / 27,777 pixels per m²

Resolution

32 x 32 pixels

Display size

7.56" x 7.65" / 192mm x 192mm

Protection

Suitable for indoor and outdoor use

Viewing angle

Horizontal angle 140° - vertical angle 120°

White balance brightness

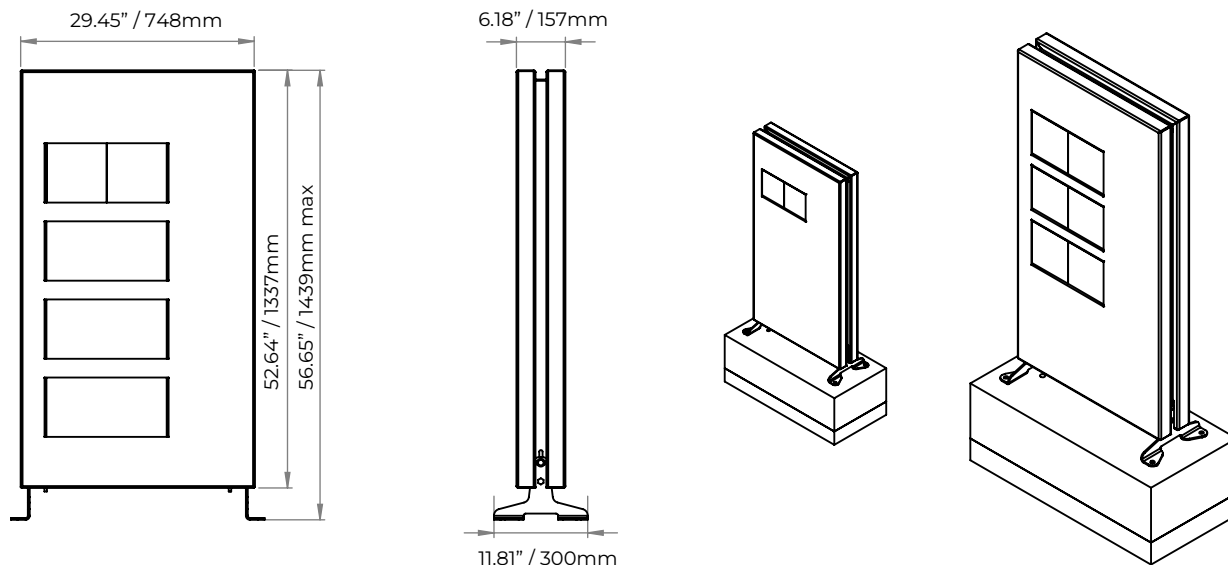
>465 cd per square foot / >5000 cd per m²

Max power consumption

35 watts per K1 LED

Power supply

AC 115V (0.3A / K1 LED) - 240V (0.15A / K1 LED) input
DC 12V - 48V output



FrogSigns K2 Monument Specifications

Powered by 

Sign body

Aluminum with powdercoat finish

Sign body size

29.45" x 52.64" x 6.18"
748mm x 1337mm x 157mm

Sign decals and body color

Customizable

Display modules

1-4 VMS modules

Display colors

Full color display

Pixel pitch

0.24" / 6mm

Pixel density

18 pixels per square inch / 27,777 pixels per m²

Resolution

32 x 32 pixels

Display size

15.12" x 7.56" / 384mm x 192mm

Protection

Suitable for indoor and outdoor use

Viewing angle

Horizontal angle 140° - vertical angle 120°

White balance brightness

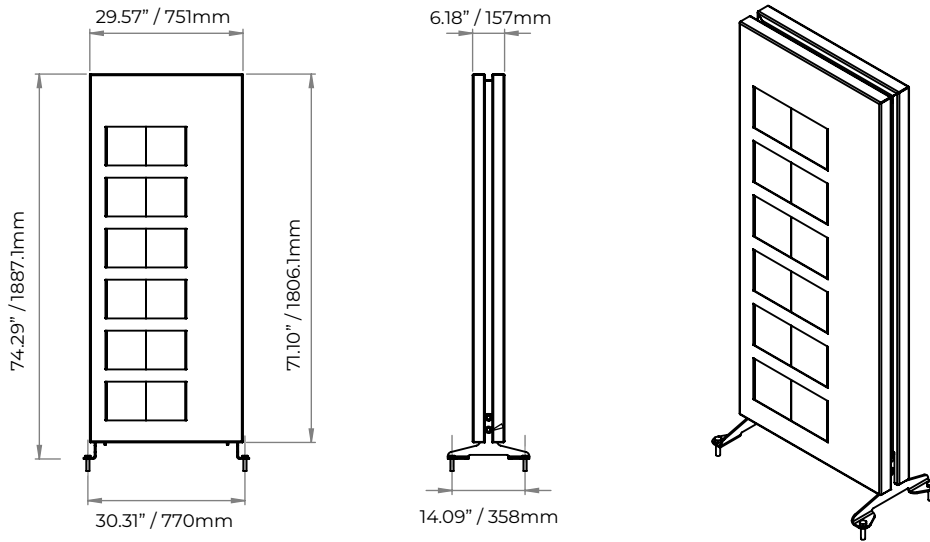
>465 cd per square foot / >5000 cd per m²

Max power consumption

35 watts per K1 LED

Power supply

AC 115V (0.3A / K1 LED) - 240V (0.15A / K1 LED) input
DC 12V - 48V output



Powered by 

FrogSigns K2 Plus Monument Specifications

Sign body

Aluminum with powdercoat finish

Sign body size

29.57" x 71.10" x 6.18"
751mm x 1806mm x 157mm

Sign decals and body color

Customizable

Display modules

1-6 VMS modules

Display colors

Full color display

Pixel pitch

0.24" / 6mm

Pixel density

18 pixels per square inch / 27,777 pixels per m²

Resolution

32 x 32 pixels

Display size

15.12" x 7.56" / 384mm x 192mm

Protection

Suitable for indoor and outdoor use

Viewing angle

Horizontal angle 140° - vertical angle 120°

White balance brightness

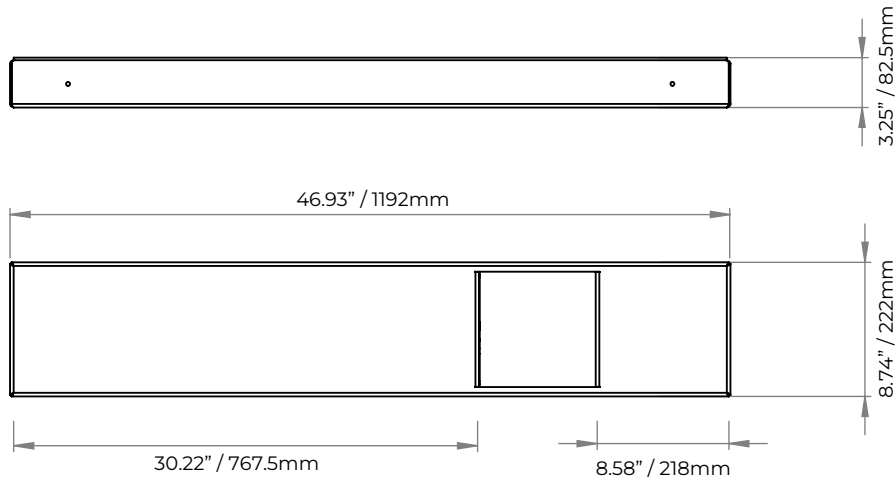
>465 cd per square foot / >5000 cd per m²

Max power consumption

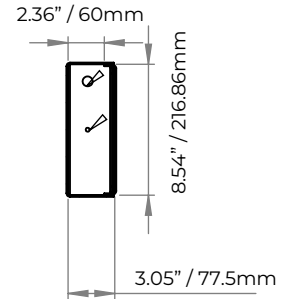
35 watts per K1 LED

Power supply

AC 115V (0.3A / K1 LED) - 240V (0.15A / K1 LED) input
DC 12V - 48V output



Powered by 



FrogSigns K1 Horizontal Channel Specifications

Channel can be flipped if VMS unit needs to be left or right aligned

Sign body

Aluminum with powdercoat finish

Resolution

32 x 32 pixels

Sign body size

46.93" x 8.74" x 3.25"
1192mm x 222mm x 82.55mm

Display size

7.56" x 7.56" / 192mm x 192mm

Sign decals and body color

Customizable

Protection

Suitable for indoor and outdoor use

Display modules

1 VMS module

Viewing angle

Horizontal angle 140° - vertical angle 120°

Display colors

Full color display

White balance brightness

>465 cd per square foot / >5000 cd per m²

Pixel pitch

0.24" / 6mm

Max power consumption

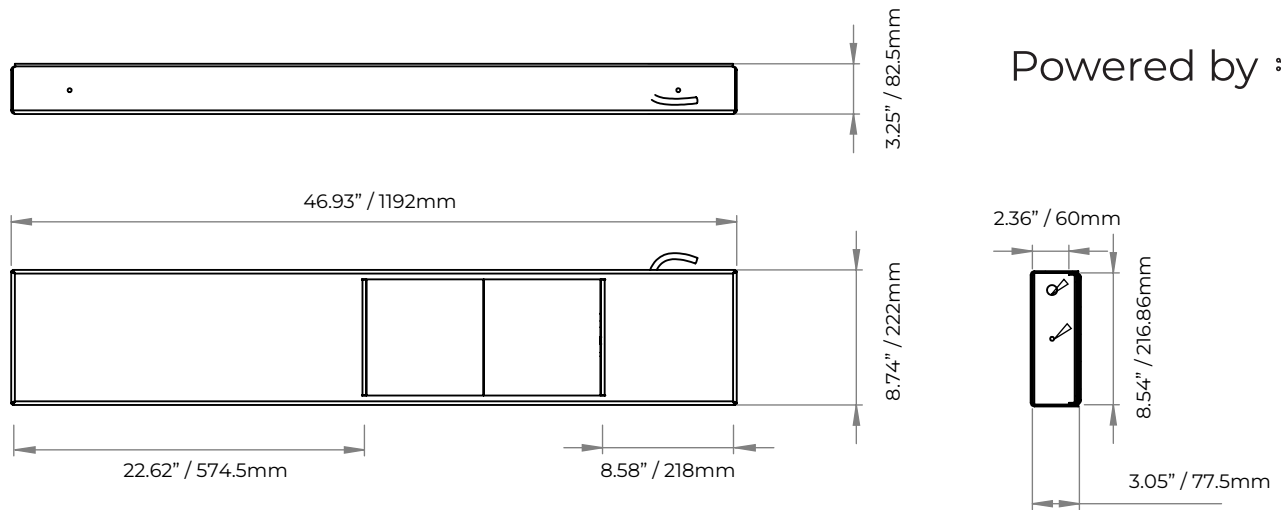
35 watts per K1 LED

Pixel density

18 pixels per square inch / 27,777 pixels per m²

Power supply

AC 115V (0.3A / K1 LED) - 240V (0.15A / K1 LED) input
DC 12V - 48V output



Powered by 

FrogSigns K2 Horizontal Channel Specifications

Sign body

Aluminum with powdercoat finish

Sign body size

46.93" x 8.74" x 3.25"
1192mm x 222mm x 82.55mm

Sign decals and body color

Customizable

Display modules

1 VMS module

Display colors

Full color display

Pixel pitch

0.24" / 6mm

Pixel density

18 pixels per square inch / 27,777 pixels per m²

Resolution

32 x 32 pixels

Display size

15.12" x 7.56" / 384mm x 192mm

Protection

Suitable for indoor and outdoor use

Viewing angle

Horizontal angle 140° - vertical angle 120°

White balance brightness

>465 cd per square foot / >5000 cd per m²

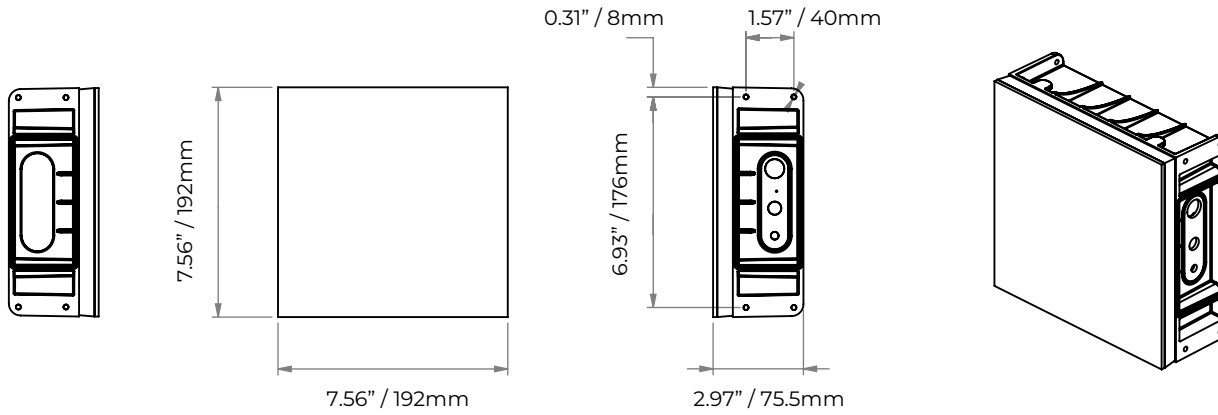
Max power consumption

35 watts per K1 LED

Power supply

AC 115V (0.3A / K1 LED) - 240V (0.15A / K1 LED) input
DC 12V - 48V output

Channel can be flipped
if VMS unit needs to be left
or right aligned



FrogSigns K1 Panel Specifications

Powered by 

Sign material

High impact, UV stabilized plastic

Display colors

Full color display

Pixel pitch

0.24" / 6mm

Pixel density

18 pixels per square inch / 27,777 pixels per m²

Resolution

32 x 32 pixels

Standard display characteristics

Single line display:

2 digits at 6.38" / 162mm character height

3 digits at 4.49" / 114mm character height

Double line display:

Character height of 3.19" / 81mm

3 numbers or 4 letter display

(e.g. "123", "FULL", "OPEN")

Display size

7.56" x 7.56" / 192mm x 192mm

Weight

4.4lb / 2kg

Ingress protection rating

IP65

Viewing angle

Horizontal angle 140° - vertical angle 120°

White balance brightness

>465 cd per square foot / >5000 cd per m²

Max power consumption

35 watts per K1 LED

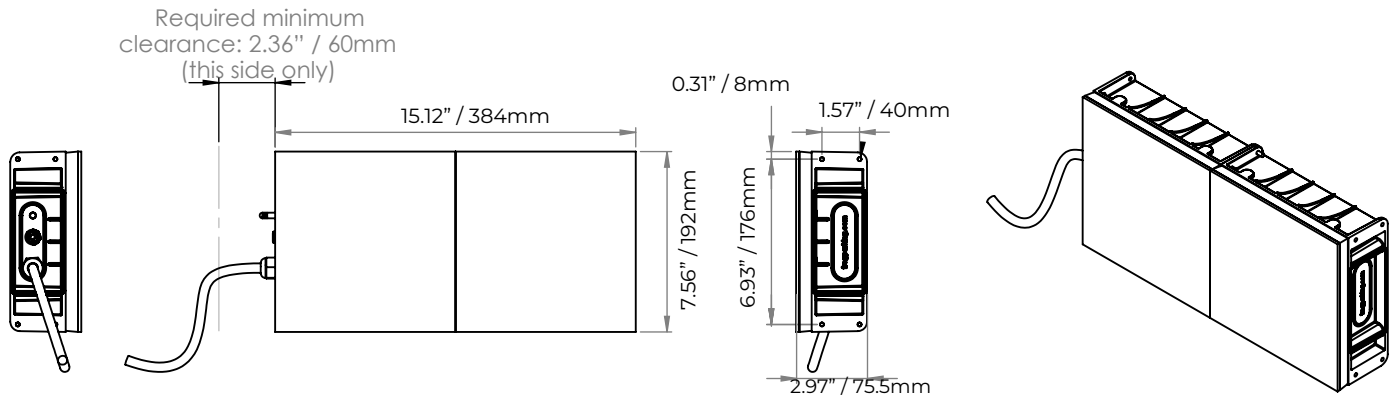
Power supply

AC 115V (0.3A / K1 LED) - 240V (0.15A / K1 LED) input

DC 12V - 48V output

Ideal location

End of aisle



FrogSigns K2 Panel Specifications

Powered by 

Sign material

High impact, UV stabilized plastic

Display colors

Full color display

Pixel pitch

0.24" / 6mm

Pixel density

18 pixels per square inch / 27,777 pixels per m²

Resolution

32 x 32 pixels

Standard display characteristics

Single line display:

Character height of 6.61" / 168mm

4 digit display - e.g. "1234"

Double line display:

Character height of 3.19" / 81mm

Up to 8 digit display

(e.g. "12345678", "OPEN", "CLOSED", "PARKING")

Display size

15.12" x 7.56" / 384mm x 192mm

Weight

7.72lb / 3.5kg

Ingress protection rating

IP65

Viewing angle

Horizontal angle 140° - vertical angle 120°

White balance brightness

>465 cd per square foot / >5000 cd per m²

Max power consumption

35 watts per K1 LED

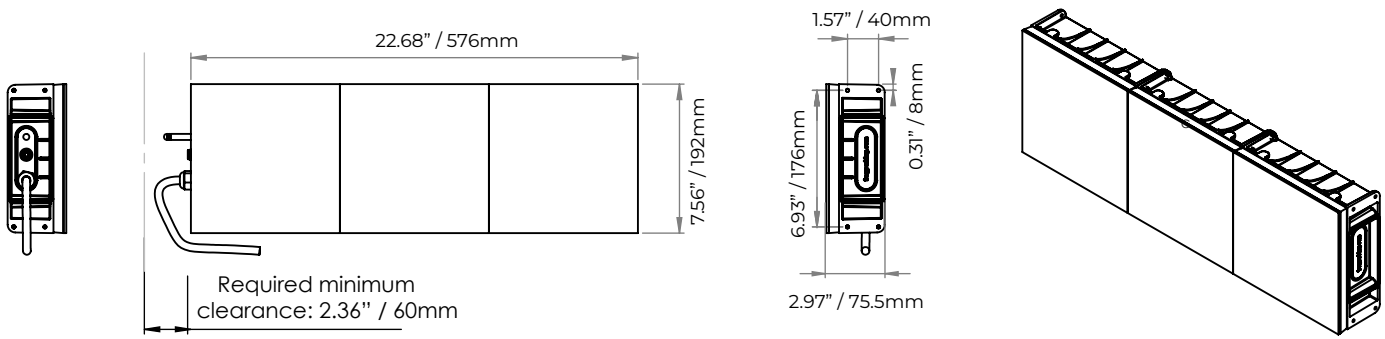
Power supply

AC 115V (0.3A / K1 LED) - 240V (0.15A / K1 LED) input

DC 12V - 48V output

Ideal location

End of aisle



FrogSigns K3 Panel Specifications

Powered by 

Sign material

High impact, UV stabilized plastic

Display colors

Full color display

Pixel pitch

0.24" / 6mm

Pixel density

18 pixels per square inch / 27,777 pixels per m²

Resolution

32 x 32 pixels

Standard display characteristics

Single line display:

Character height of 6.61" / 168mm

4 digit display - e.g. "1234"

Double line display:

Character height of 3.19" / 81mm

Up to 12 digit display

(e.g. "ABCDEFGHIJKL", "67 SPACES", "AVAILABLE")

Display size

22.68" x 7.56" / 576mm x 192mm

Weight

9.92lb / 4.5kg

Ingress protection rating

IP65

Viewing angle

Horizontal angle 140° - vertical angle 120°

White balance brightness

>465 cd per square foot / >5000 cd per m²

Max power consumption

35 watts per K1 LED

Power supply

AC 115V (0.3A / K1 LED) - 240V (0.15A / K1 LED) input

DC 12V - 48V output

Ideal location

End of aisle