

Introducing

# FrogCounter

Powered by 

Practical. Sophisticated. Exact.



# FrogCounter Features

Powered by 



## Accurate

Use the latest LiDAR technology to accurately count and keep track of the number of vehicles driving in / out of a zone.



## Fully integrated

Links seamlessly with FrogSigns and FrogMobile for parking guidance. Fully integrates with FrogHub for full parking control.



## Automated monitoring

Vehicles are counted automatically. Count data is available from FrogHub - where you can instantly view, track and analyze occupancy information with ease.



## Designed to blend in

Expertly crafted to seamlessly integrate with your surroundings in a way that is both sophisticated and unobtrusive.



## Cloud storage

No IT administration required. Data is stored on offsite servers via cellular data communication.



## Sustainable

Superior engineering ensures limited (to no) routine maintenance required. Built to stand the test of time.



## Fast processing

Detection and processing is performed at the unit and only the information that you need is sent to the cloud.



## Trending now

Leave behind outdated technology. Embrace a new era of innovation.

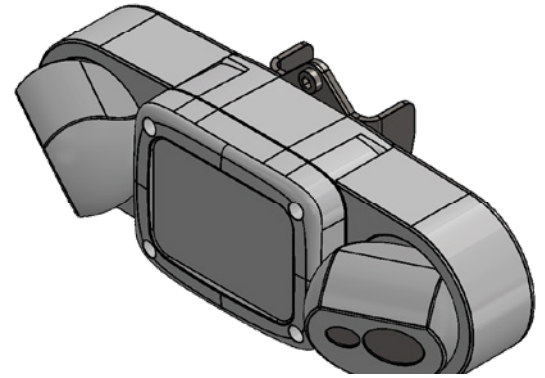
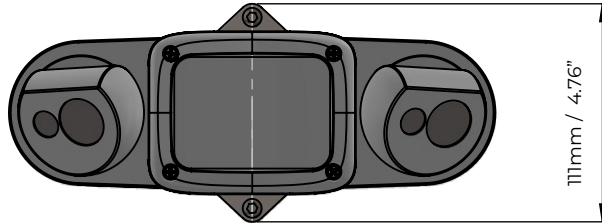
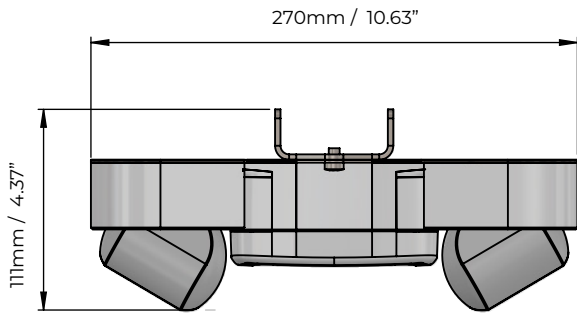
When single space parking sensors aren't practical - consider FrogCounter.

Our world-class sensors track vehicles entering/exiting your parking lot, using advanced algorithms to determine available parking spaces.

FrogCounter works seamlessly with FrogSigns and FrogMobile to give accurate parking insights and guidance to your customers.

FrogCounter automatically sends real-time data to FrogHub - Frogparking's easy-to-use dashboard and reporting tool. This valuable data provides parking managers with up-to-date insights on vehicle entries, helping them make informed choices to optimize their parking assets.

- ✓ An alternative to single stall detection
- ✓ Non-intrusive installation compared to traditional alternatives
- ✓ Designed to be at an offset angle (not overhead) making it a versatile option
- ✓ Can be used in both outdoor lots, or other delineated points in ingress/egress
- ✓ No on-site servers required
- ✓ Maintained remotely
- ✓ Electrical or solar powered options
- ✓ Bi-directional options available
- ✓ No magnetic loops so less maintenance requirements



# Outdoor FrogCounter

## Specifications

Powered by 

### Materials

Polycarbonate, stainless steel

### Ingress protection rating

IP65

### Ambient operating temperature

-20 to 40°C / -4 to 104°F

### Mounting method

Pole mounted

### Detection

Class 1 (eye safe), laser sensor

### System voltage

12-48vdc

### Power consumption

< 1 watt

### Configuration

Wireless, web based

### Power

Mains powered OR solar powered